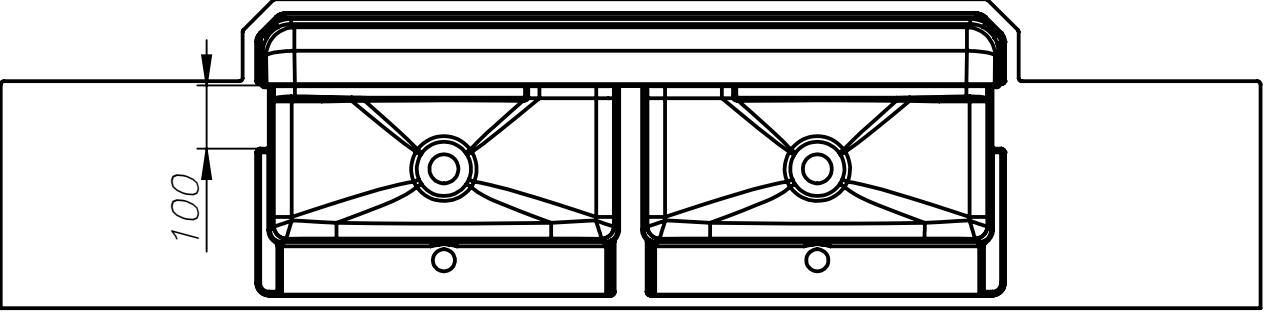


The margin of error in case the regulation is +2-0 measured from the axis of the basin.
Die Fehlergrenze in Fall der Regulierung beträgt +2-0 von Achse der Becken.



According to project Badea		Material	Localization \\Marm-symf\cnc\Projekty\Badea\Taya\Duet regulowana\ver	
Date	Name	Signature	Name of drawing	
It constructed 01.07.2013/24.09.2013/30.09.2013	2013	2013	Taya duet variable ver 1	
It has checked 08.01.2013	Gała M.		A3	
It has approved 08.01.2013	Przydróżny W.			
Scale	marmorin		Dimension gabarit	Version 1