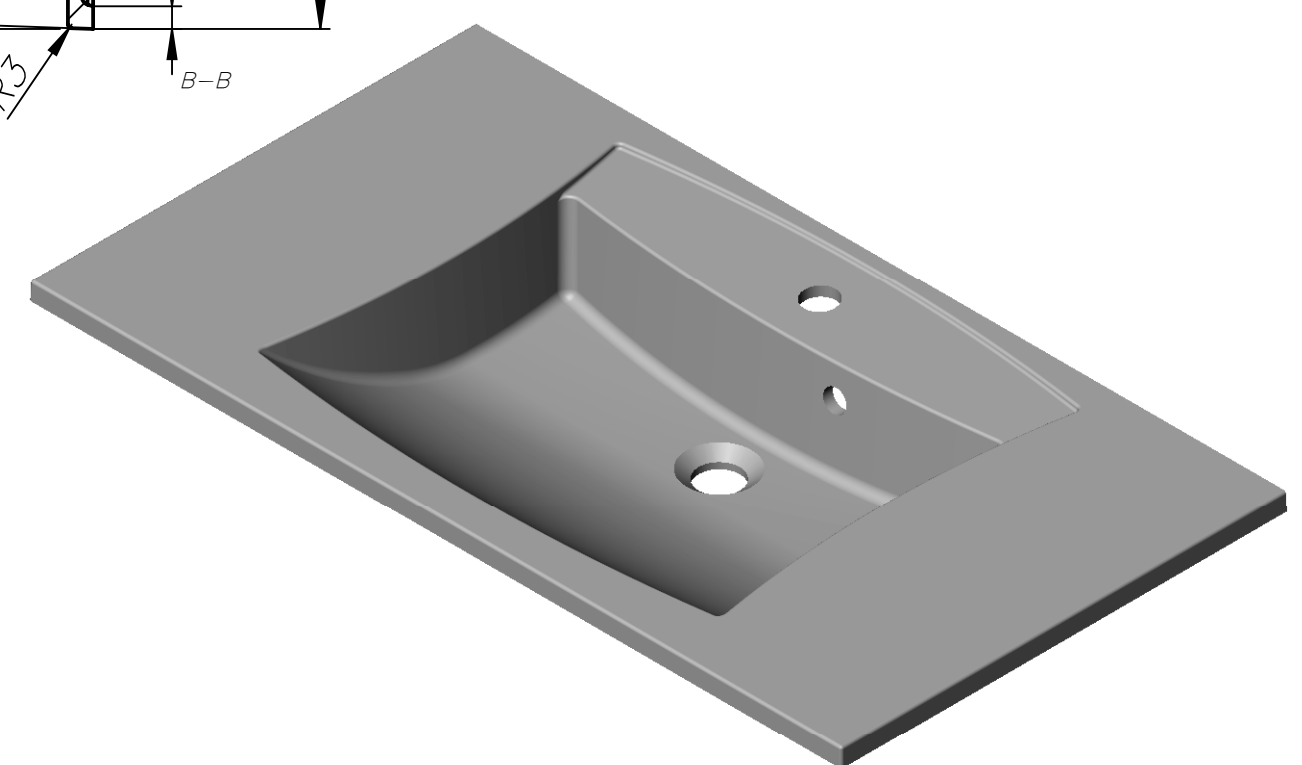
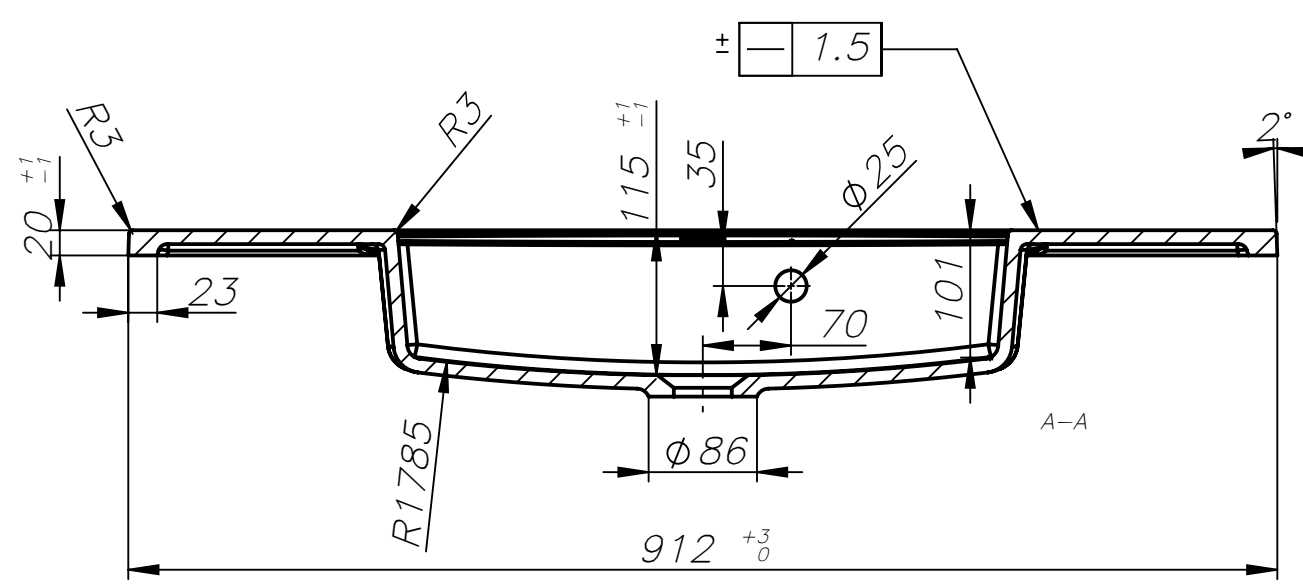
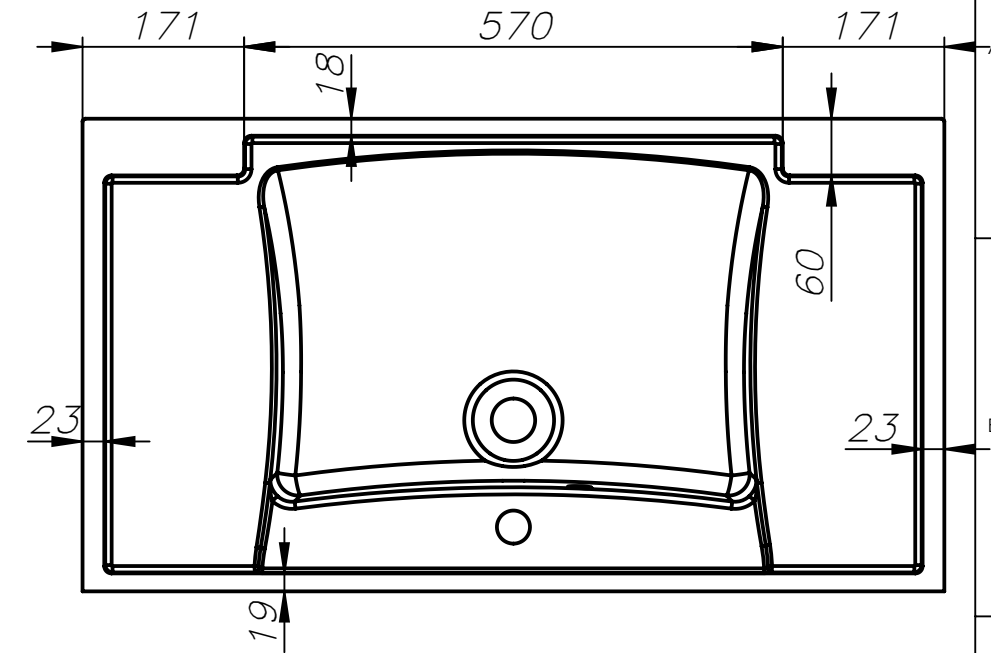
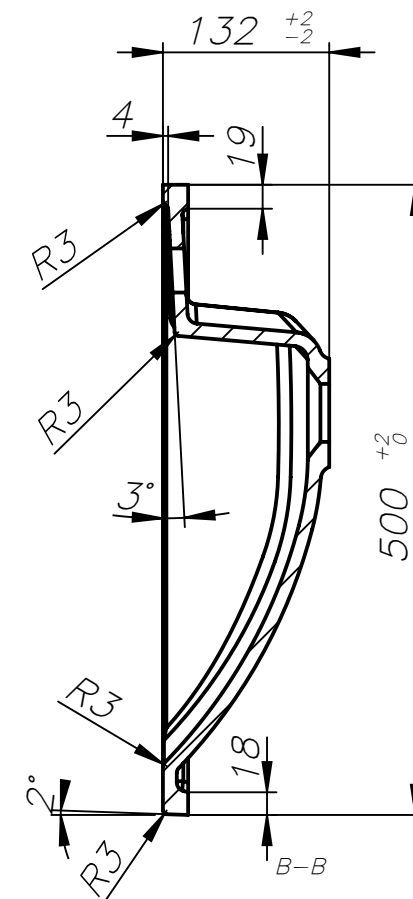
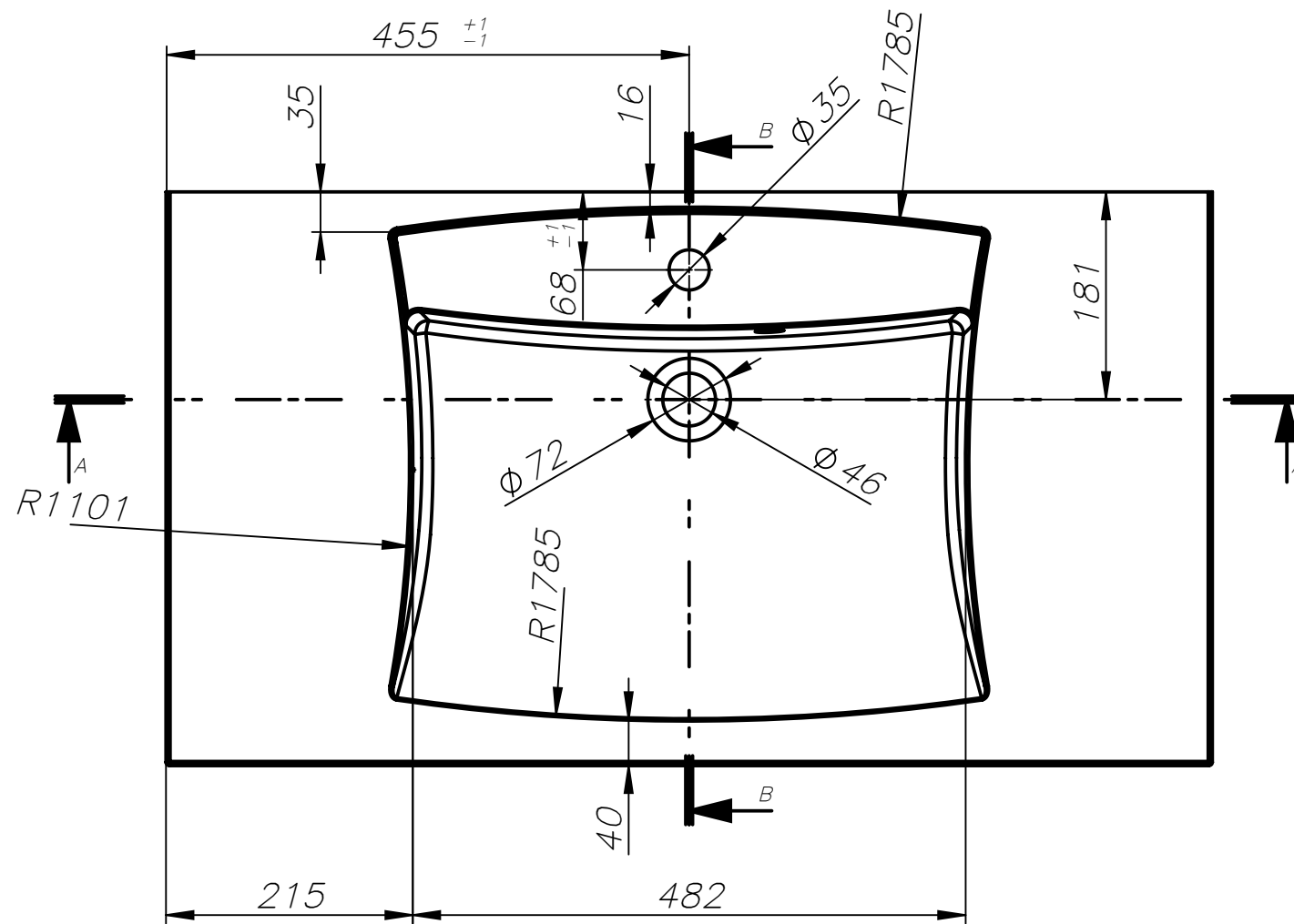


Drawing for approval 377.1\_2012



|                      |                 |           |  |         |
|----------------------|-----------------|-----------|--|---------|
| According to project |                 | Material  | Localization                                     |         |
|                      |                 |           | D:\dysk zewnetrzny\Projekty\Badea\Fresh\912x500\ |         |
| Date                 | Name            | Signature | Name of drawing                                  |         |
| 19.04.2013           | M.Gala          |           | Badea Fresh                                      |         |
| It has checked       |                 |           | 900  |         |
| It has approved      |                 |           |  |         |
| Scale                | <b>marmorin</b> |           | Dimension gabarit                                | Version |
|                      |                 |           | 912x500  | 1       |

A3