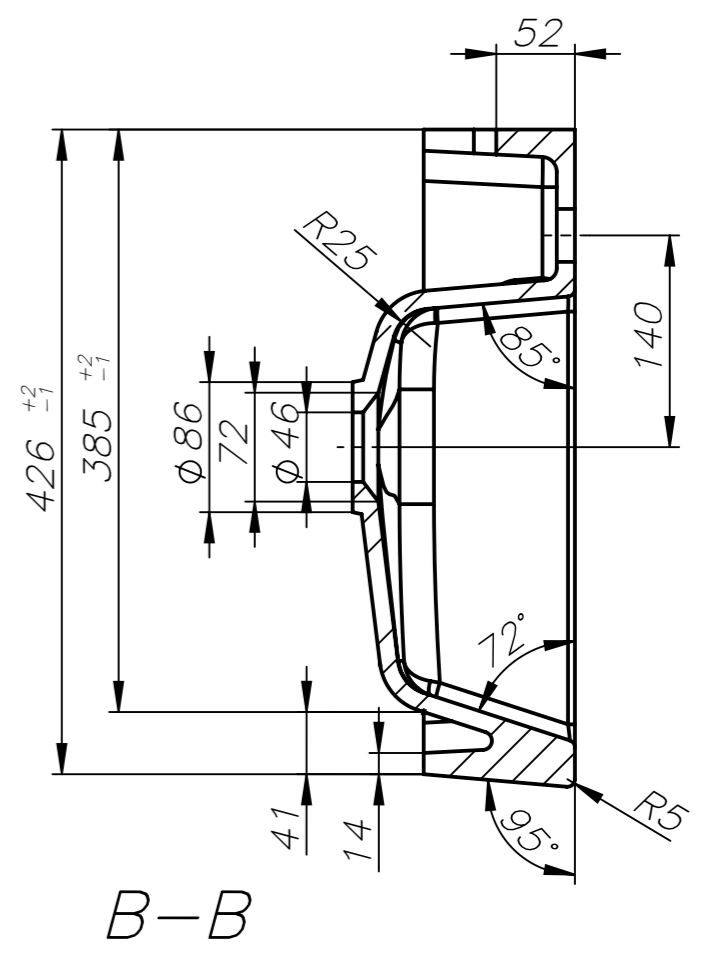
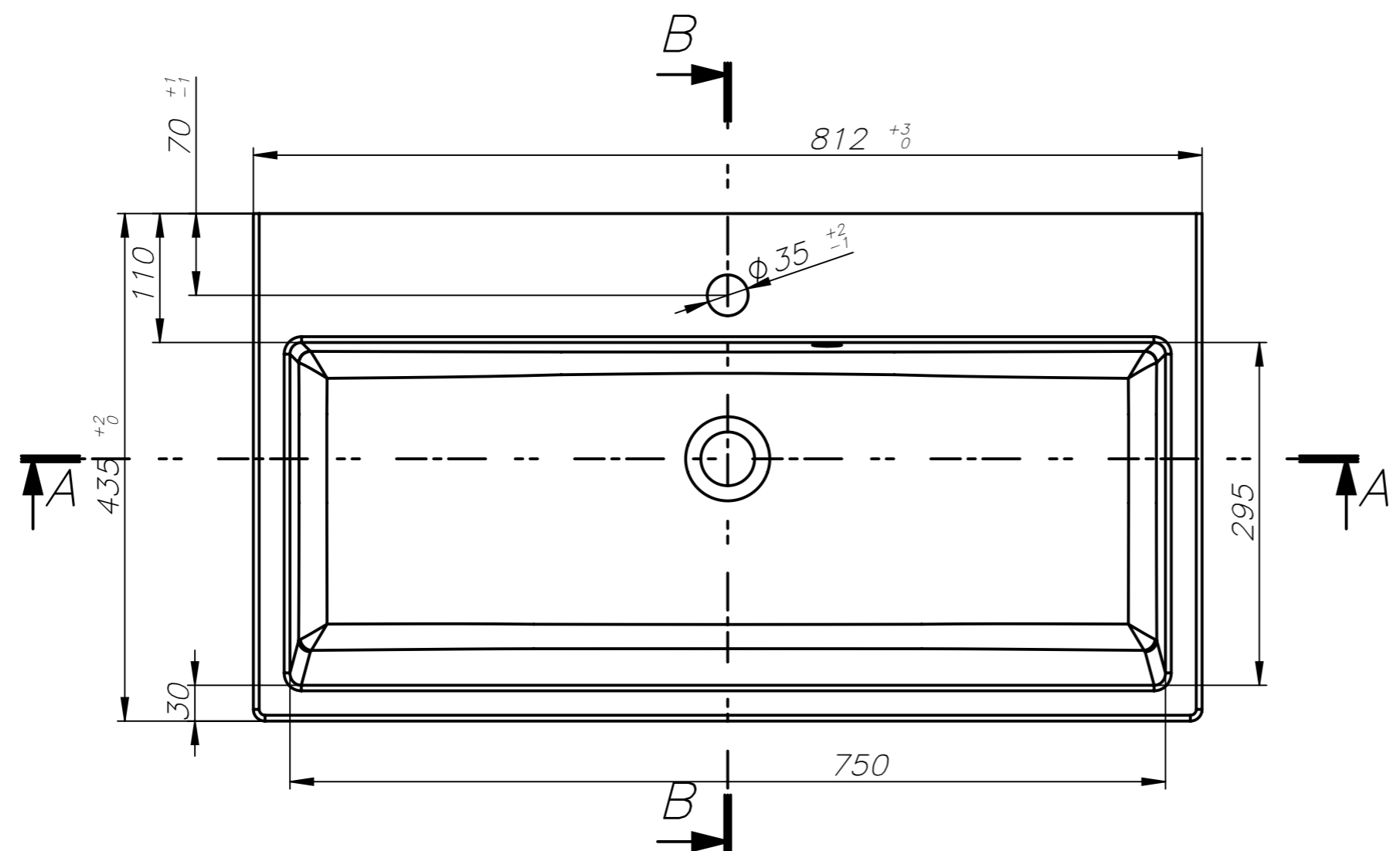
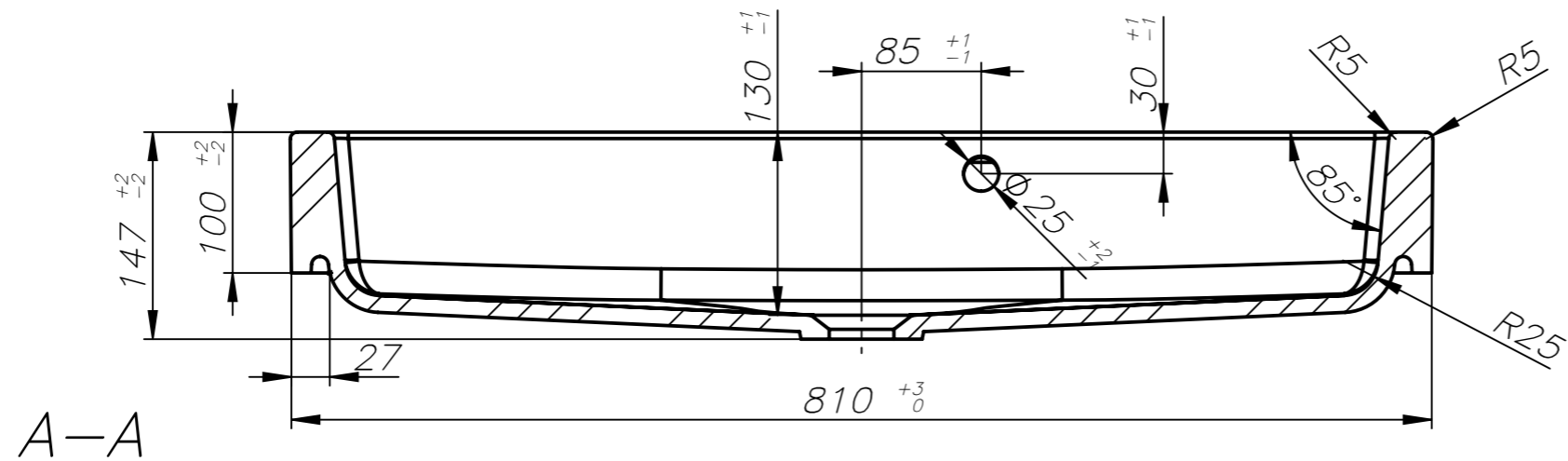


Drawing for approval 421\_02\_2013



According to project <b>Badea</b>		Material <b>dolomit</b>	Localization \\Marm-symf\cnc\Projekty\Badea\Faro\
Date	Name	Signature	Name of drawing
09.05.2013	Andruczewicz A.		<b>Faro 810</b>
09.05.2013	Smakulski		
Scale			Version
<b>marmorin</b>			

**A3**