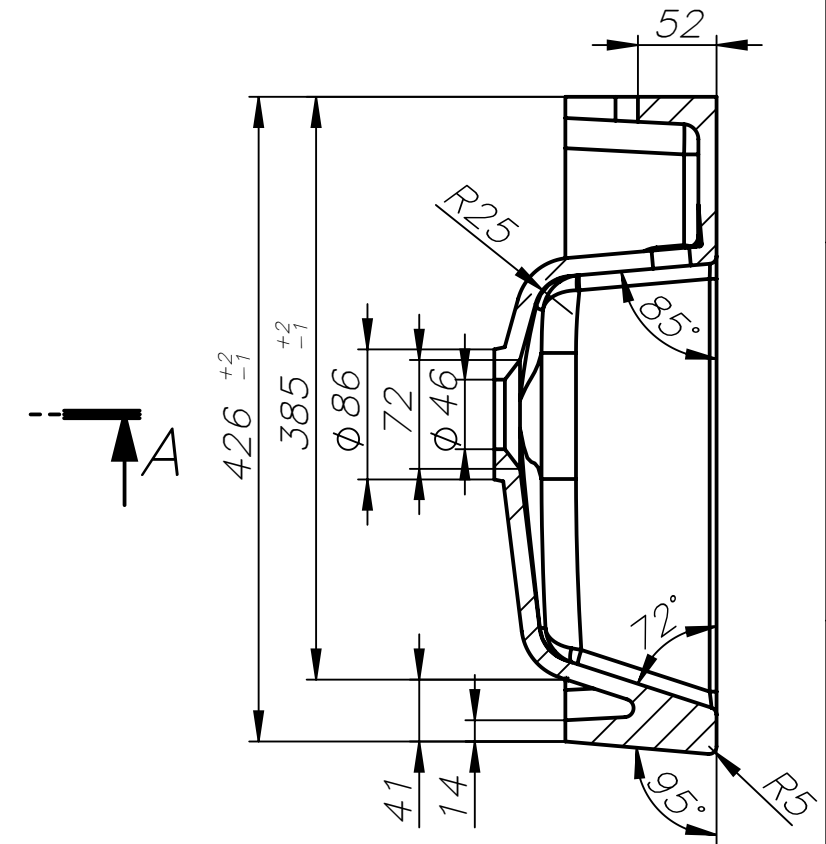
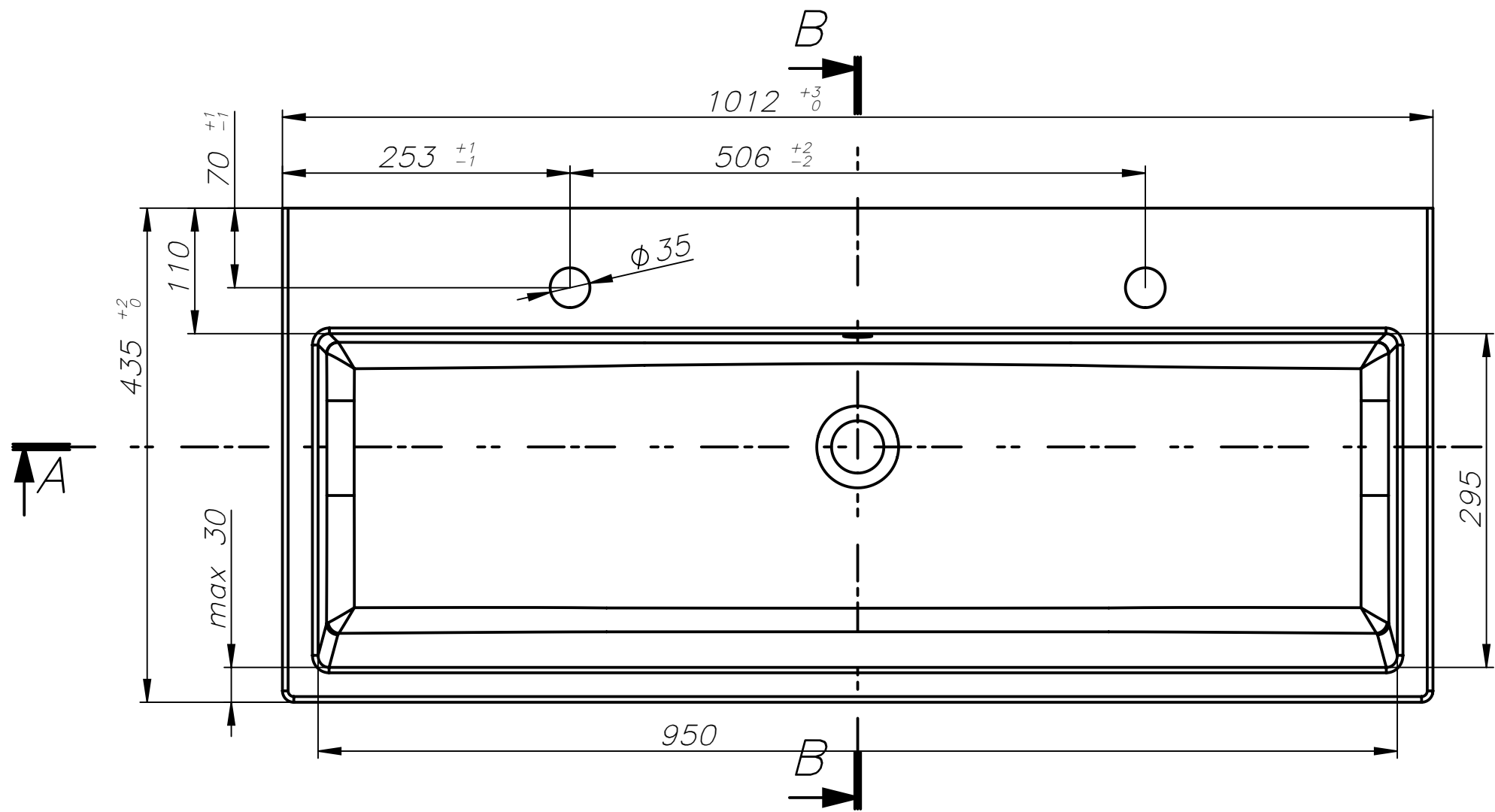
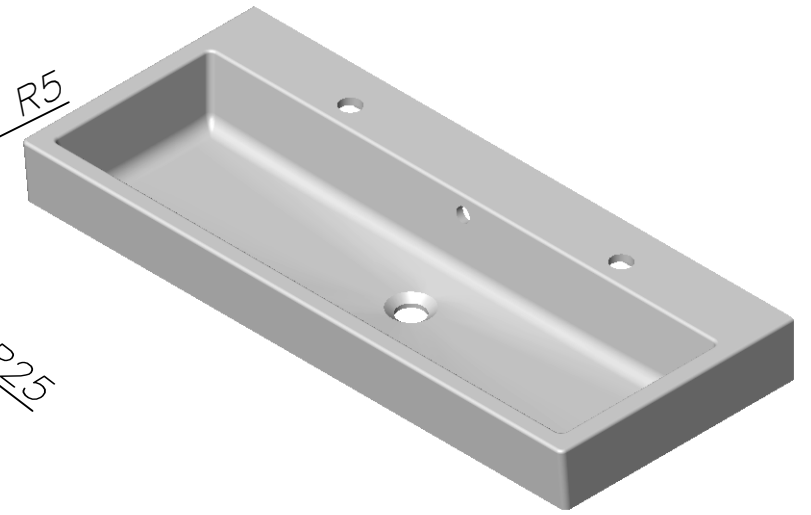
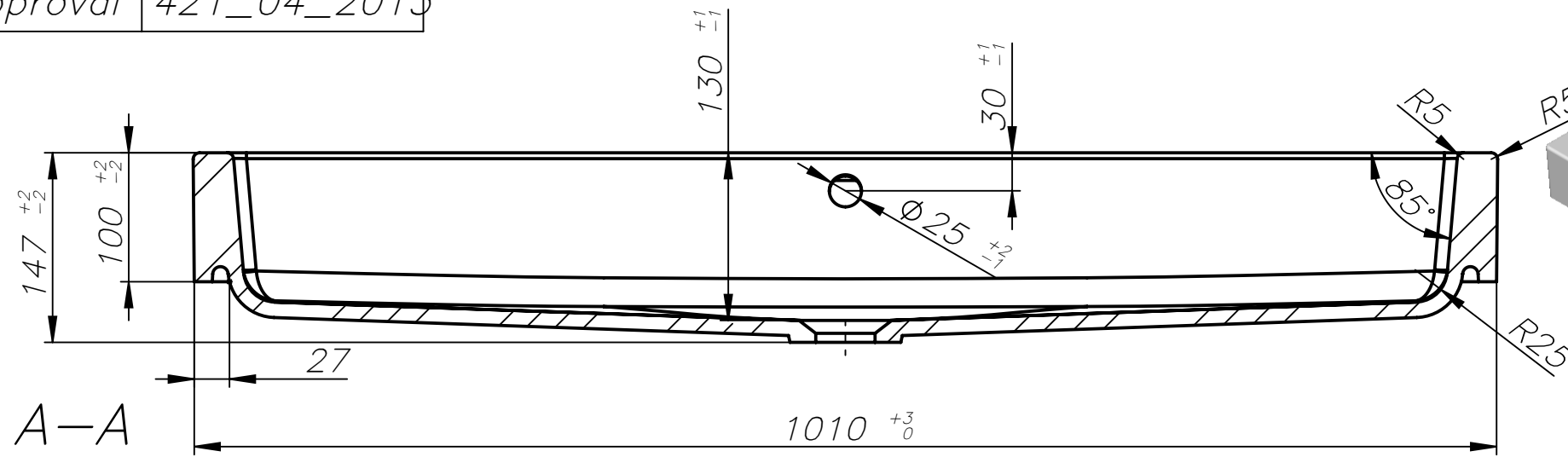


Drawing for approval 421_04_2013



According to project Badea		Material	Localization \\Marm-symf\cnc\Projekty\Badea\Faro\	
Date	Name	Signature	Name of drawing	
It constructed 09.05.2013	Andrucewicz A.		Faro 1010	
It has checked 09.05.2013	Smakulski		2 holes	
It has approved			A3	
Scale	marmorin		Dimension gabarit	Version 4